

Safety retractable handles

retractable mechanism **Stainless Steel**,
automatic return to the retracted position

SPECIFICATION

Handle

Plastic **KT**

Technopolymer (Polyamide PA)

- temperature resistant up to 90 °C
- black, matte finish
- revolving

Retractable mechanism

Stainless Steel

- Axle parts AISI 303
- Flat base, Sintered Steel AISI 316 LHC



INFORMATION

Safety retractable handles GN 798.8 are suitable for applications such as cranked handles and handwheels if the handle may not be locked in the operating position.

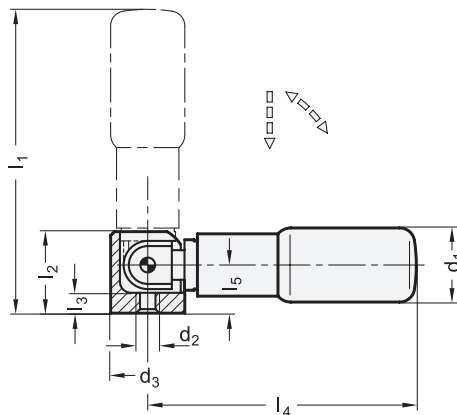
In order to bring the handle into the operating position it has to be turned first through 90° to a stop against a torsion spring and then it is pushed against spring pressure into its hold position.

By maintaining the forward thrust on the handle, the handwheel can easily be rotated.

When releasing the handle, the springs return it back to the retracted position.

TECHNICAL INFORMATION

- Stainless Steel characteristics (see page A26)
- Plastic characteristics (see page A2)



GN 798.8

STAINLESS STEEL

Description	d1	d2	d3	l1 ≈	l2	l3	l4	l5	⚖
GN 798.8-KT-22	22	M 6	20	82	22	5,5	73	13	84
GN 798.8-KT-24	24	M 6	20	97	22	5,5	88	13	97
GN 798.8-KT-25	25	M 6	20	107	22	5,5	98	13	111



5 Fixed and Revolving Handles